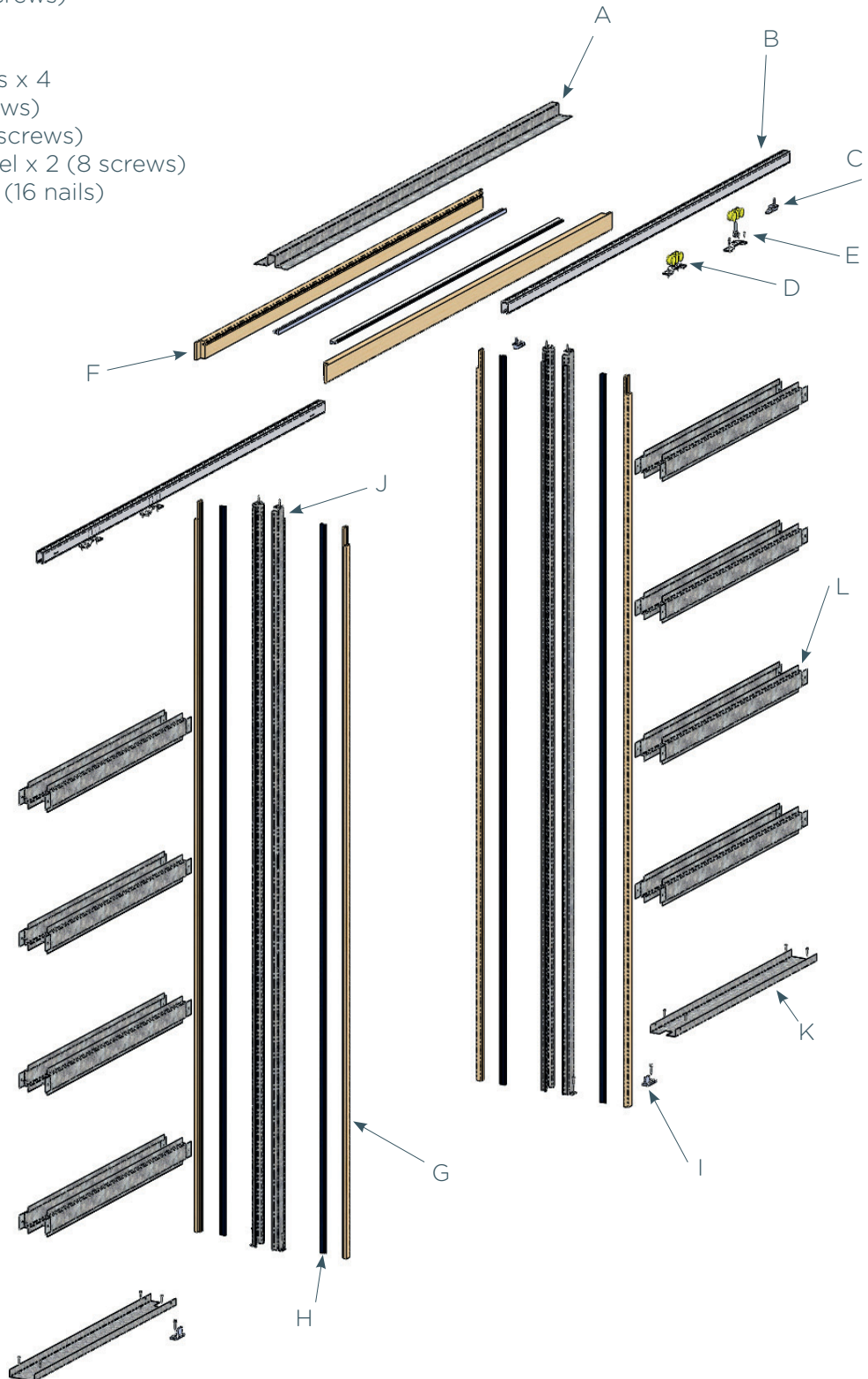


Before you start

Check all parts for the kit:

- A - Frame Top Hat x 1
- B - Frame Running Track x 2 (8 screws)
- C - Door Stopper x 4
- D - Running Gear x 4
- E - Door Hanger x 4 (8 screws)
- F - Top Jamb x 2
- G - Upright Jamb x 4
- H - Upright Jamb Brushes x 4
- I - Door Guide x 2 (4 screws)
- J - Frame Upright x 4 (8 screws)
- K - Frame Bottom Channel x 2 (8 screws)
- L - Frame Horizontal x 16 (16 nails)
- M - Plasterboard Screws



Not Included in this Kit:

- Door
- Door furniture
- Plasterboard
- Architrave
- Rawl plugs and screws for concrete floor fixing
- Adhesive silicone